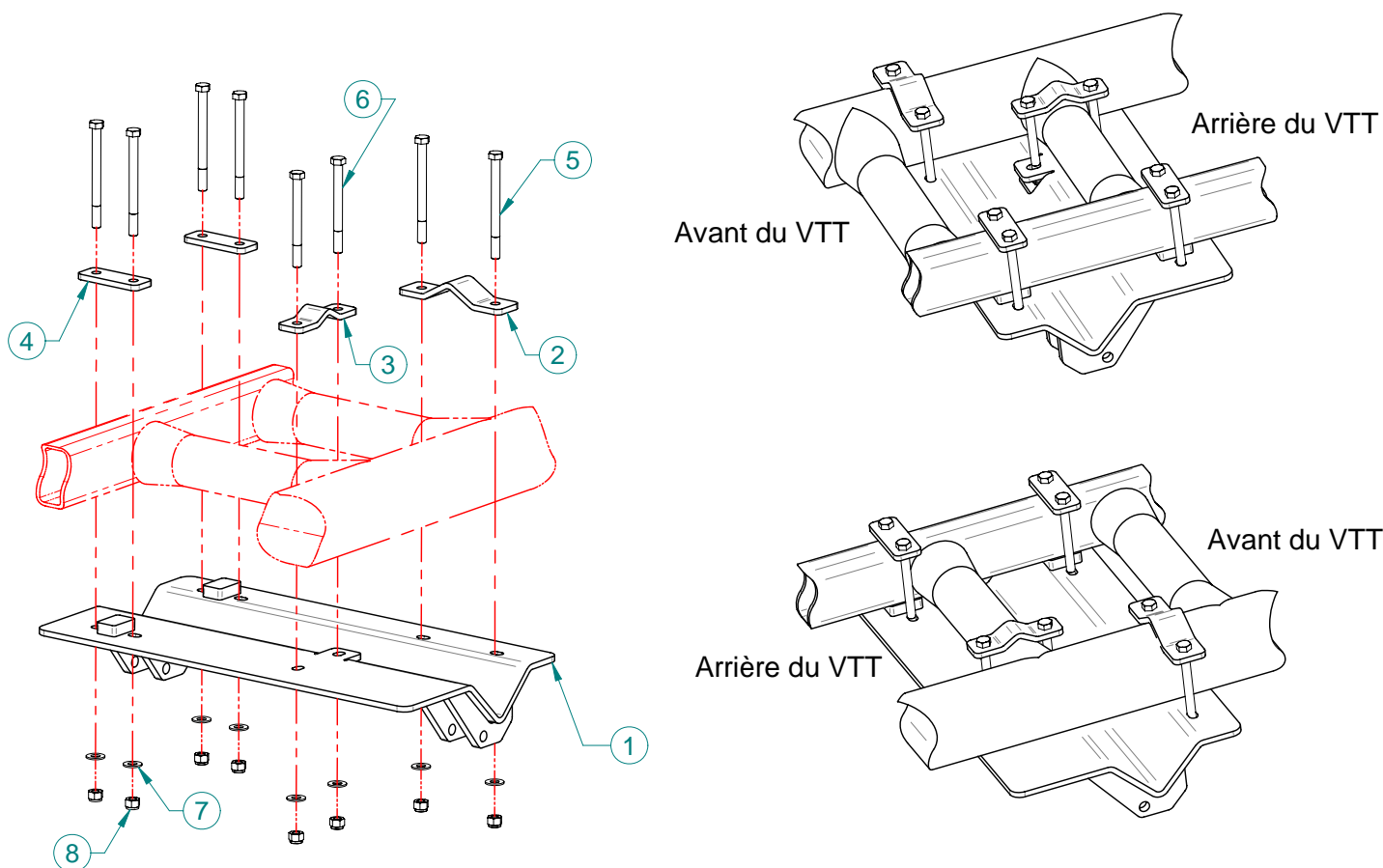




**INSTALLATION
PLAQUE ADAPTEUR**

Fixez la plaque adaptateur (# 1) au châssis du VTT avec un (1) support plié (# 2), un (1) support plié (# 3), deux (2) supports (# 4), six (6) boulons 3/8"NC x 4 1/2" LG. (# 5), deux (2) boulons 3/8"NC x 4" LG (#6), huit (8) rondelles d'appui 3/8" (#7) et huit (8) écrous nylon 3/8" NC (# 8).



Liste de pièces

Réf.	Description	# de pièce (OEM)	Qté.
1	Plaque adaptateur soudée	00PS-203	1
2	Support plié plaque adaptateur	04SA-006	1
3	Support plié plaque adaptateur	04SA-008	1
4	Support plaque adaptateur	04SA-005	2
5	Boulon à tête hex. 3/8"-16 NC x 4-1/2"	HB-3/8-16NCx4-1/2	6
6	Boulon à tête hex. 3/8"-16 NC x 4"	HB-3/8-16NCx4	2
7	Rondelle d'appui 3/8" USS zinc blanc	FW-3/8-USS	8
8	Écrou de nylon 3/8"-16NC	HLN-3/8-16NC	8

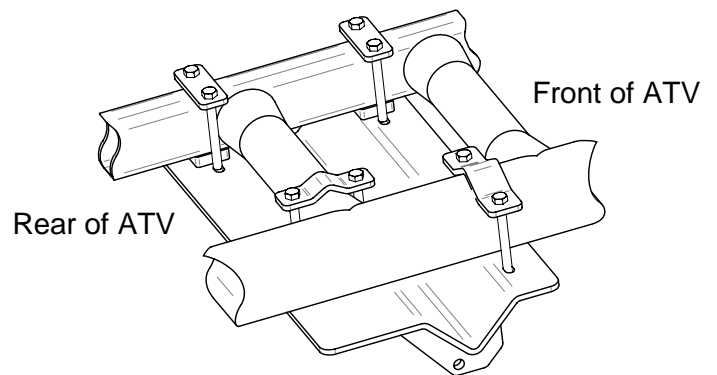
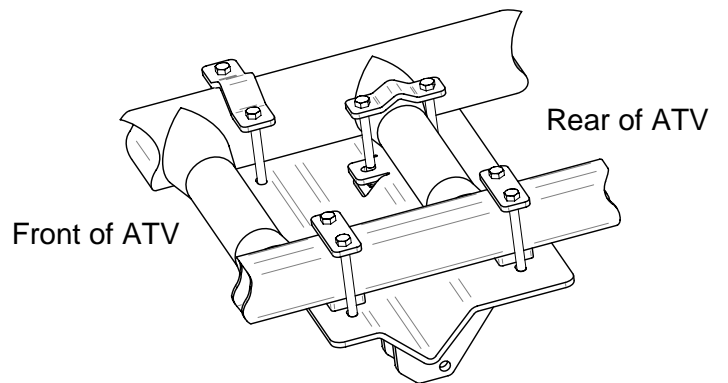
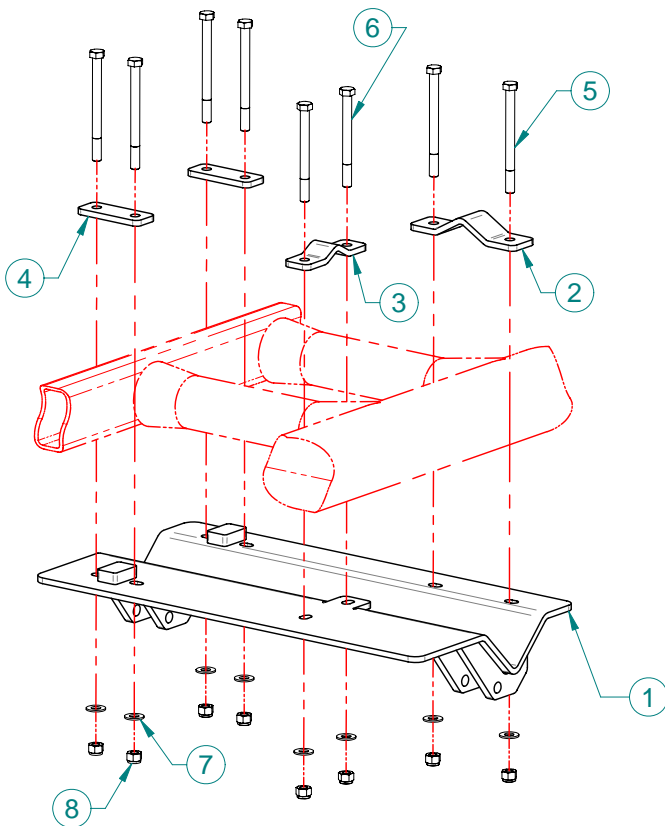


ANNEX A

09PA-203

**ADAPTER
INSTALLATION**

Install the adapter plate (# 1) at ATV's frame with one (1) folded support (# 2), one (1) folded support (# 3), two (2) supports (# 4), six (6)bolts 3/8"NC x 4 1/2" LG. (# 5), two (2)bolts 3/8"NC x 4" LG (#6), eight (8) flat washers 3/8" (#7) and eight (8) locknuts 3/8" NC (# 8).



Parts list

Ref.	Description	Item # (OEM)	Qty.
1	Adapter plate	00PS-203	1
2	Folded support for adapter plate	04SA-006	1
3	Folded support for adapter plate	04SA-008	1
4	Support adapter	04SA-005	2
5	Hexagonal Bolt 3/8"-16 NC x 4-1/2"	HB-3/8-16NCx4-1/2	6
6	Hexagonal Bolt 3/8"-16 NC x 4"	HB-3/8-16NCx4	2
7	Flat washer 3/8" USS white zinc	FW-3/8-USS	8
8	Hexagonal locknut with nylon 3/8"-16NC	HLN-3/8-16NC	8