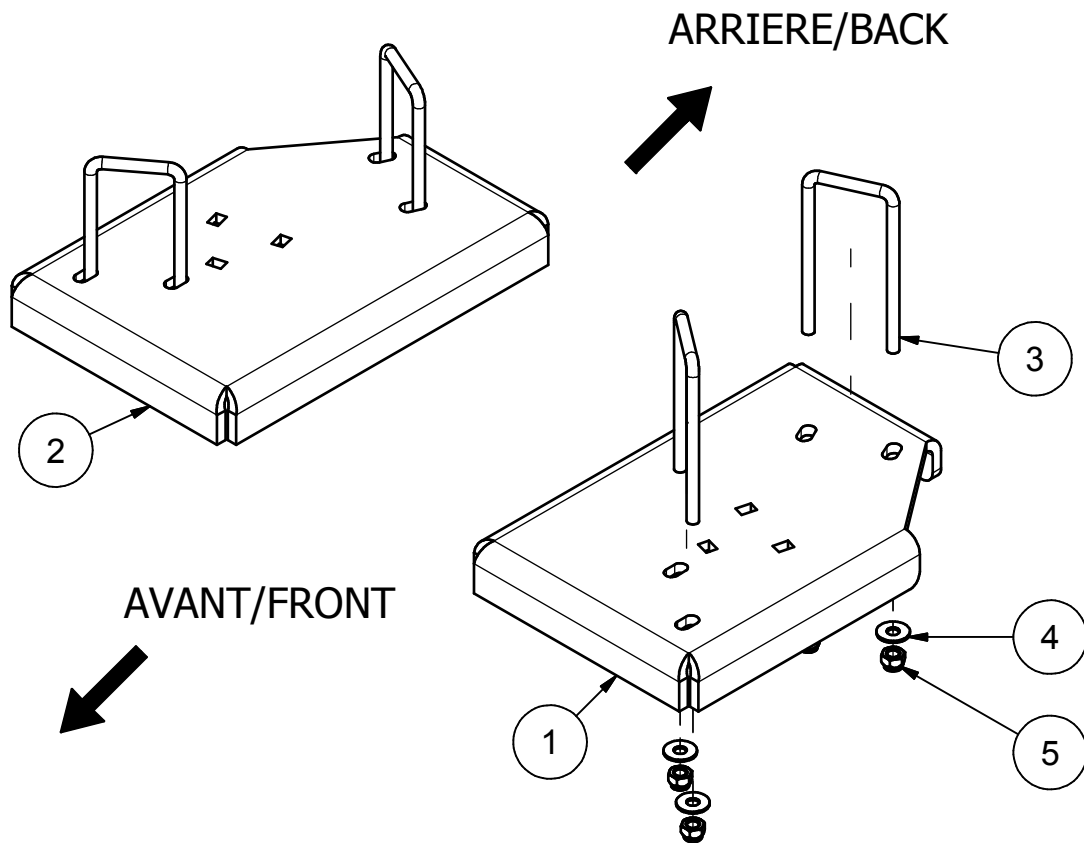


00PA-407**: PLAQUE ADAPTEUR / ADAPTER PLATE**

ITEM	QTY	PART NUMBER	RÉV.
1	1	03PA-407G	
2	1	03PA-407D	
3	4	SBUB318-16X2X5	
4	8	FW5116USS	
5	8	HLN3/8-16ZBG2	

2015-02-23

**Les Fabrication TJD inc.**147, chemin des Raymond Rivière-du-Loup (Québec), G5R 5X9
www.tjd.ca