



FAIRING INSTALLATION BRACKET 08&28

1. Install the fairing according to the drawing below.
2. Install the clear windshield with item 11.
3. Install item 1 and 2 with items 8, 9 and 10 on the fairing **without tightening**.
4. **Without tightening**, install item 3 on the handles of the ATV. Use items 4, 5, 6, 7.

Note: In some case, you could need to loosen the brake handles to ease the installation.

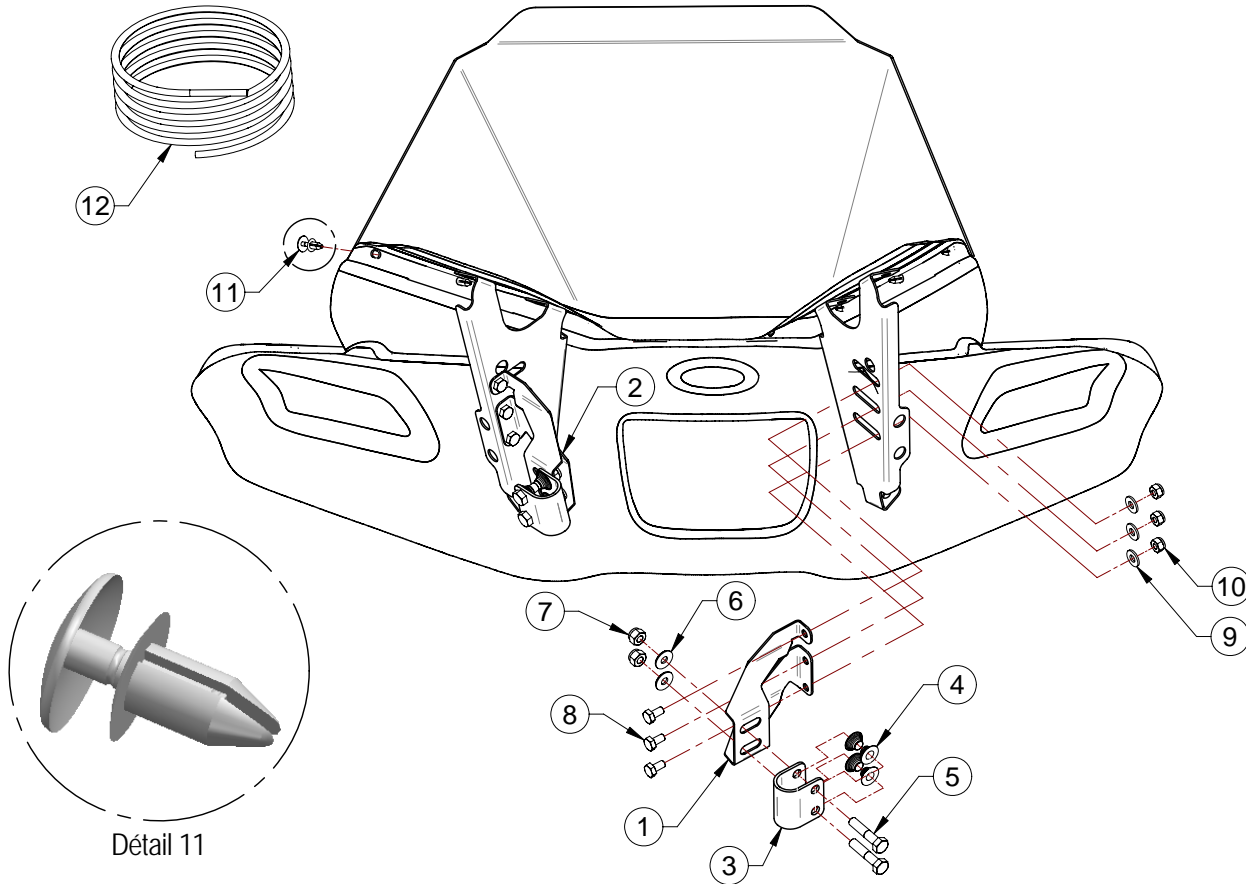
5. Adjust the position for all the items.

Note: In some case, you may have to adjust the handlebar at the good angle to install the fairing correctly.

6. Make sure to tight the bolts sufficiently to prevent parts from vibrating loose.

7. Verify the clearance of the fairing by turning it. Make sure to clear the shifter and other accessories installed close to the handlebar of the vehicle.

IMPORTANT: Make sure to keep enough space to operate the brake lever easily.



Parts list

Ref.	Description	Item # (OEM)	Qty.
1	Fairing angle right	04WA-008D	1
2	Fairing angle left	04WA-008G	1
3	Handle support	04WB-001	2
4	Casing of support fairing	04BB-001	8
5	Hexagonal bolt 5/16-18NC x 1-1/2"	HB-5/16-18NCx1-1/2	4
6	Flat washer 1/4" USS white zinc	FW-1/4-USS	4
7	Hexagonal locknut with nylon 5/16"-18NC	HLN-5/16-18NC	4
8	Hexagonal Bolt 1/4"-20 NC x 1/2"	HB-1/4-20NCx1/2	6
9	Flat washer 1/4" SAE white zinc	FW-1/4-SAE	6
10	Hexagonal locknut with nylon 1/4"-20NC	HLN-1/4-20NC	6
11	Pushbutton to retain the windshield	Bouton 17.5MM	8
12	2600 mm of trim 8mm (available upon request)	TRIM8MM-COUPE 2600	option

WARNING: Windshields are for off-road use only.

When travelling at speeds exceeding 60Km/h, Please remove windshield.