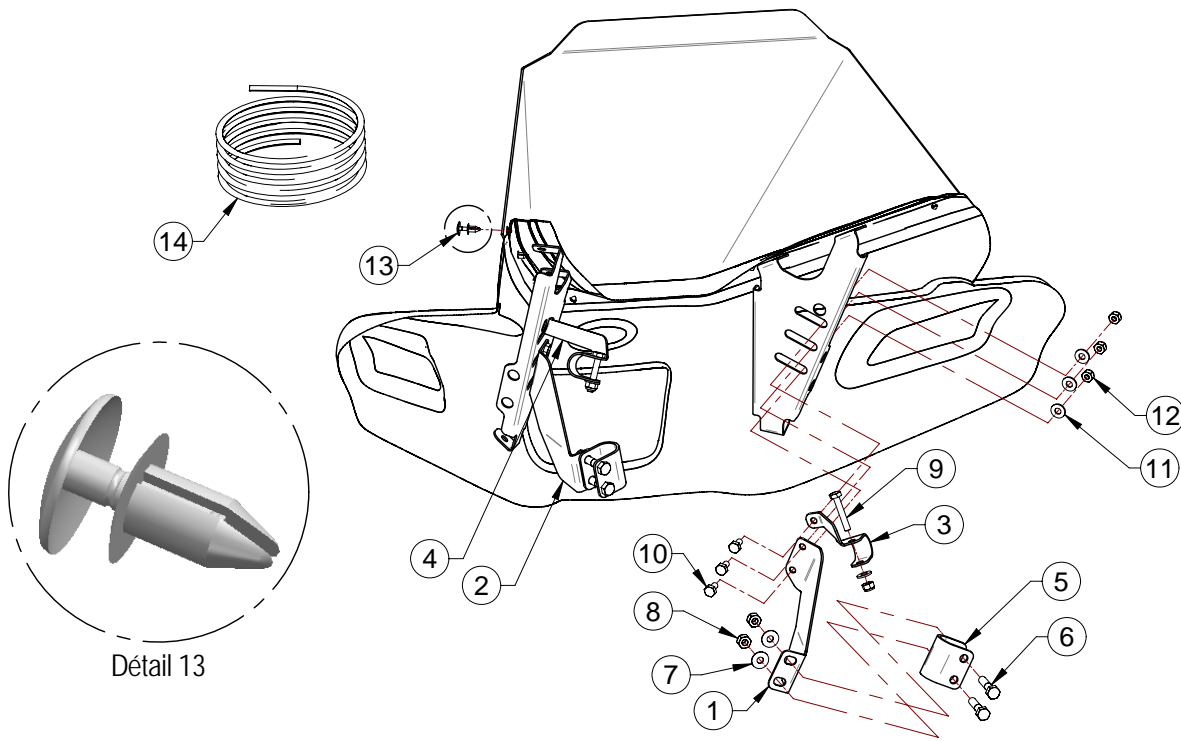




## FAIRING INSTALLATION BRACKET 59

1. Install the fairing according to the drawing below.
2. Install the clear windshield with item 13.
3. Fix the items 5, 1 and 2 at the base of the handlebar with the items 6, 7 and 8, **without tightening**.  
 Note: To make it easier, remove the plastic on the front of the handlebar and reinstall it after the placement of items 1 and 2.  
 The items 1 and 2 must be placed as high as possible (See picture) .
4. Install items 3 and 4 as near as possible of the handlebar using the items 9, 11 and 12, **without tightening** (see picture).  
 Note: In some cases you may have to move the flange of the hand-brake lever.
5. Install the fairing with items 1, 2, 3, 4, 10, 11 and 12, **without tightening**.
6. Adjust position for all items.  
 Note: In some case, you may have to adjust the handlebar at the good angle to install the fairing correctly.
7. Make sure to tight the bolts sufficiently to prevent parts from vibrating loose.
8. Verify the clearance of the fairing by turning the handlebar. Make sure to clear the shifter and other accessories installed close to the handlebar of the vehicle.

**IMPORTANT:** Ensure you to keep enough space to operate the brake lever easily.



Parts list

Ref.	Description	Item # (OEM)	Qty.
1	Fairing angle right	04WA-009D	1
2	Fairing angle left	04WA-009G	1
3	Support of handle left (rev B)	04WB-004D rev-B	1
4	Support of handle left (rev B)	04WB-004G rev-B	1
5	Handle support	04WB-001	2
6	Hexagonal bolt 5/16-18NC x 1-1/2"	HB-5/16-18NCx1-1/2	4
7	Flat washer 1/4" USS white zinc	FW-1/4-USS	4
8	Hexagonal locknut with nylon 5/16" -18NC	HLN-5/16-18NC	4
9	Hexagonal Bolt 1/4"-20 NC x 1-1/2"	HB-1/4-20NCx1-1/2	2
10	Hexagonal Bolt 1/4"-20 NC x 1/2"	HB-1/4-20NCx1/2	6
11	Flat washer 1/4" SAE white zinc	FW-1/4-SAE	8
12	Hexagonal locknut with nylon 1/4"-20NC	HLN-1/4-20NC	8
13	Pushbutton to retain the windshield	Bouton 17.5MM	8
14	2600 mm of trim 8mm (available upon request)	TRIM8MM-COUPE 2600	option

**WARNING:** Windshields are for off-road use only.

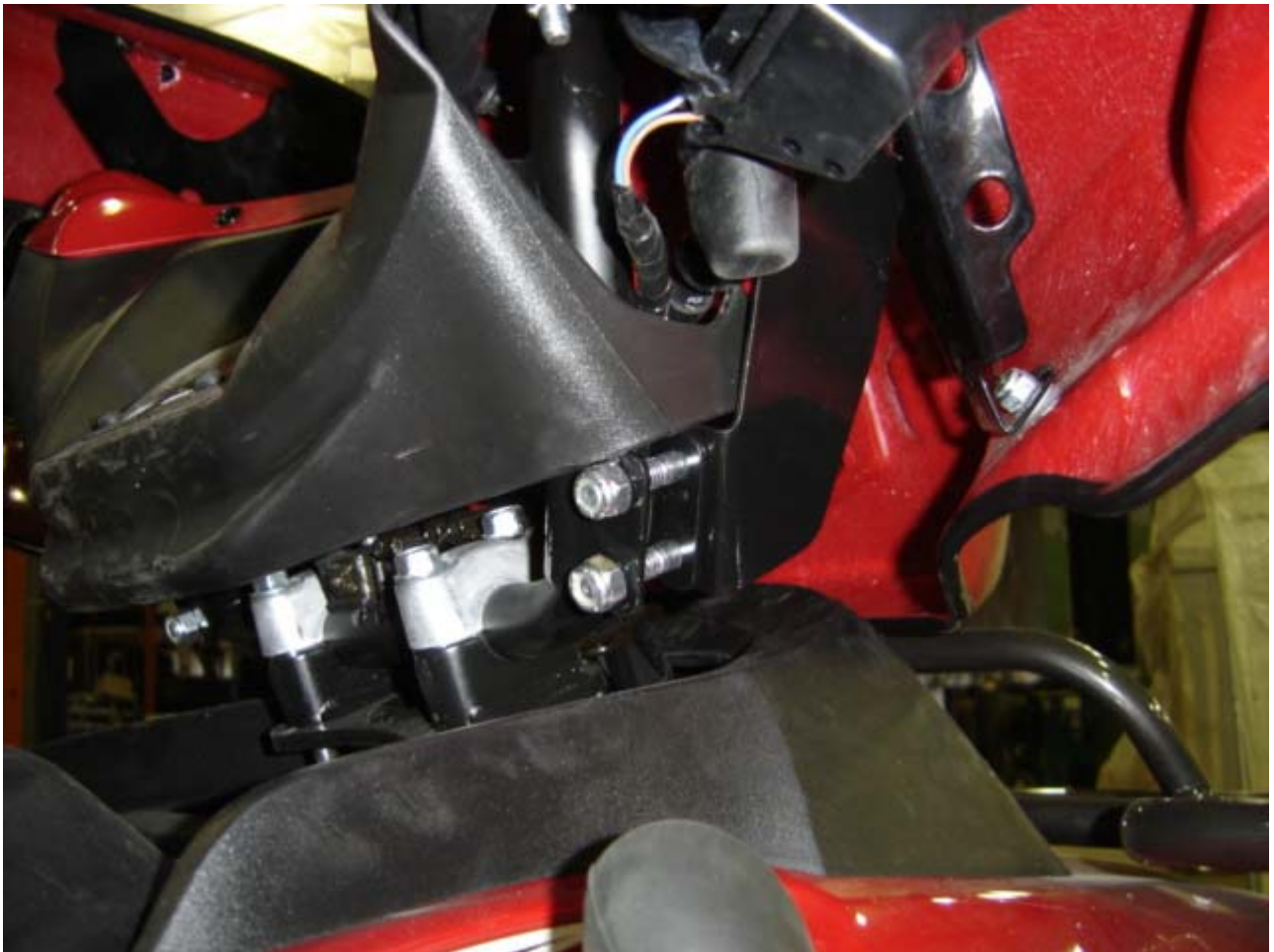
When travelling at speeds exceeding 60Km/h, Please remove windshield.



Coté gauche



Coté droit



Dessous droit