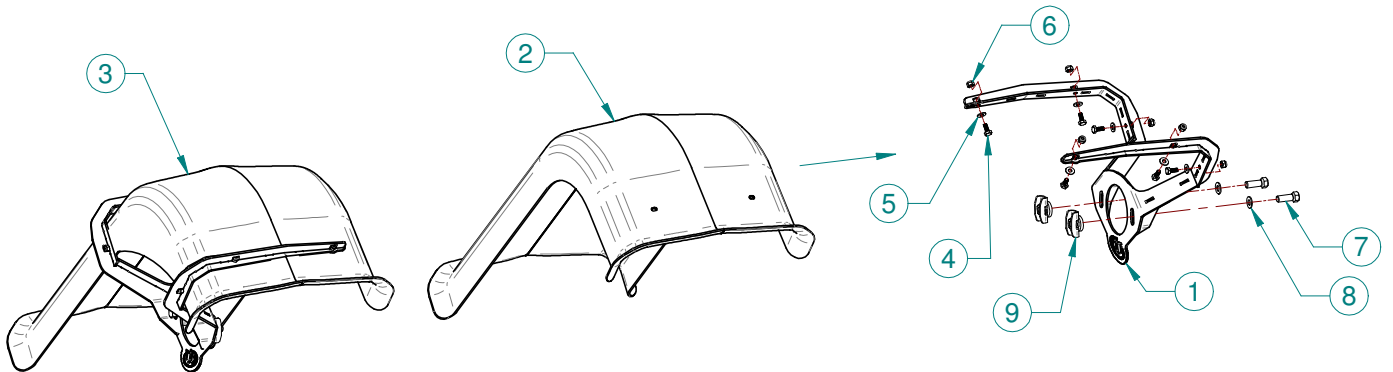


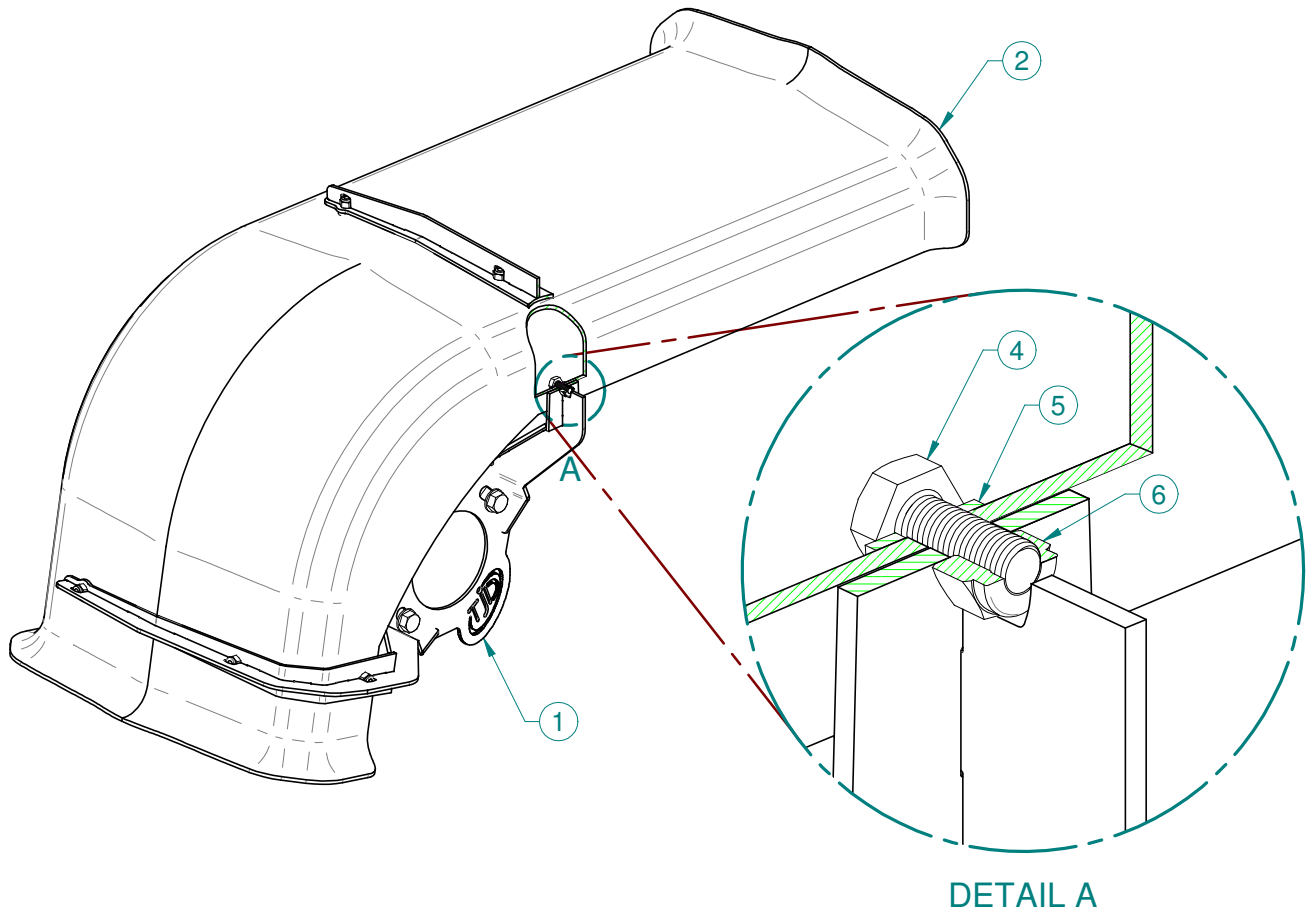
**INSTALLATION OF THE  
LEFT AND RIGHT FENDER**



**Parts list**

Ref.	Description	Item # (OEM)	Qty.
1	Principal bracket assembly	00AI-101	2
2	Left fender	02AI-001G	1
3	Right fender	02AI-001D	1
4	Hexagonal Bolt 1/4"-20 NC x 5/8"	HB-1/4-20NCx5/8	12
5	Flat washer 1/4" SAE white zinc	FW-1/4-SAE	12
6	Hexagonal locknut with nylon 1/4"-20NC	HLN-1/4-20NC	12
7	Hexagonal bolt 7/16-14NC x 1-1/4"	HB-7/16-14NCx1-1/4	4
8	Flat washer 3/8" USS white zinc	FW-3/8-USS	4
9	Retaining ring	00AI-102	4

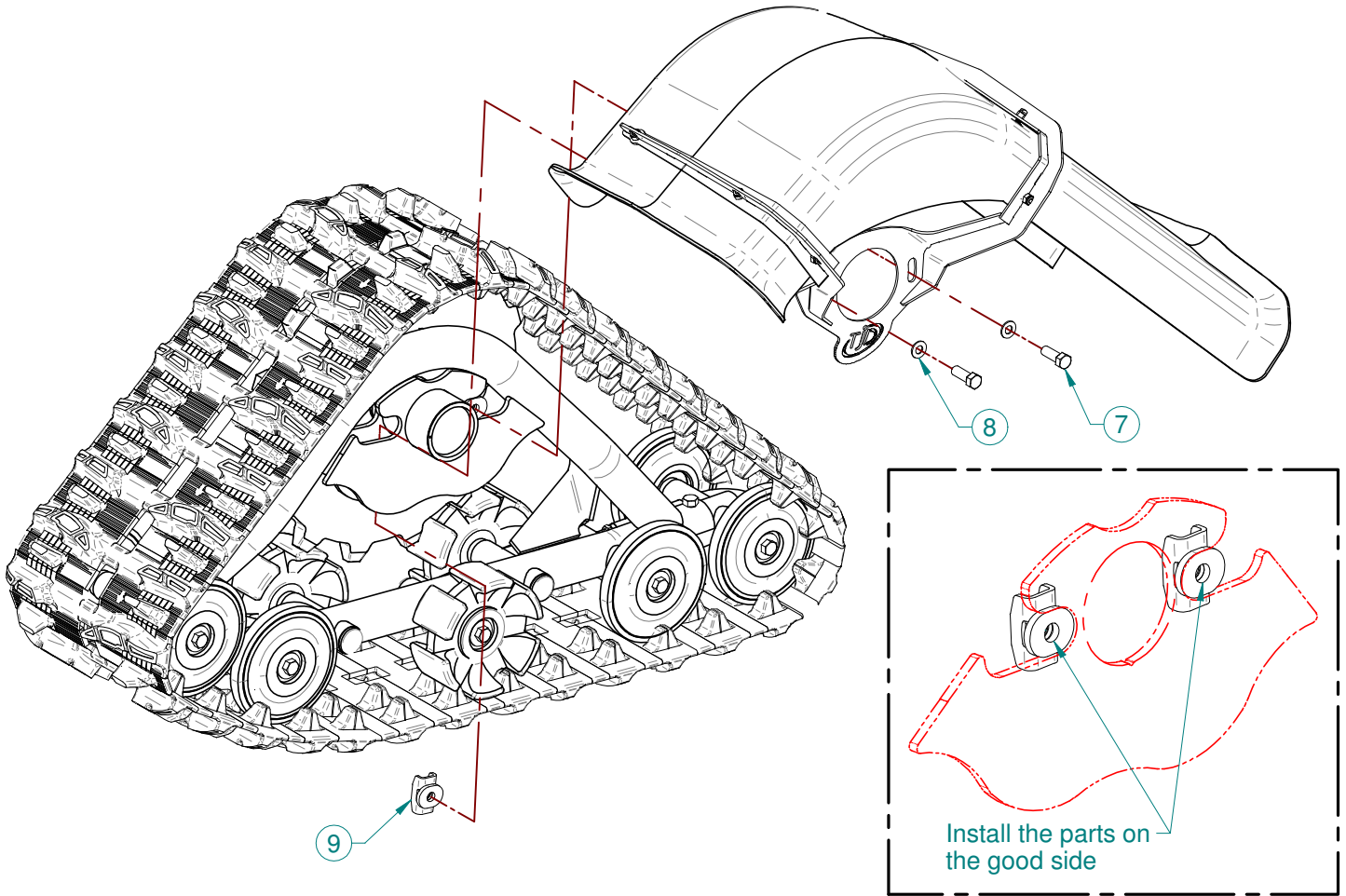
**STAGE 1** - Install the left fender (#2) at the master bracket (#1) using six (6) bolts 1/4-20NCx5/8 (#4), six (6) flat washers 1/4-SAE (#5) and six (6) self-locking nuts 1/4-20NC (#6).



**DETAIL A**



**STAGE 2** - Install the two (2) retaining rings (#9) as shown below .Install the assembly fender with two (2) bolts 7/16-14NCx1-1/4 (#7) and two (2) flat washers 3/8-USS (#8) in the retaining ring (#9).



**STAGE 3** - Adjust the fenders to have the same distance at the front and the rear.

